



# HALO

## SMART SENSOR

- VAPE DETECTION
- CHEMICAL DETECTION
- AIR QUALITY MONITORING
- AUDIO ANALYTICS

Initially intended for schools to combat the vaping and school shooting epidemics, HALO IOT Smart Sensor has now expanded across industries. The HALO detects environmental changes that occur in privacy concern areas. As a device on the network, it will send alerts to security personnel.

With HALO, designated personnel will be alerted when environmental changes occur in typically unsupervised areas. HALO can detect flammables, hazardous chemicals, air quality changes such as vaping and smoking and changes in temperature and humidity. HALO can also detect noise level fluctuations and can send alerts when unusual activity occurs. HALO will also analyze room occupancy through light detection. HALO includes a built-in tamper detection alert.

Utilizing the latest in smart technology, HALO adds a layer of security in places not covered by traditional surveillance cameras.

With HALO, security staff can now monitor areas where cameras are not allowed. Staff can get these alerts through the web or traditional burglar, video management systems, access control or building management tools.

*Security for  
Privacy Areas!*



*\*HALO IOT Smart Sensor - Patent Pending\**



### Audio Analytics

- Abnormal Noise Level Detection

Coming Soon

- Gunshot Detection
- Glass Break
- Shouting
- Excessive Banging
- Occupancy



### Chemical

- Ammonia
- Carbon Monoxide
- Carbon Dioxide
- Nitrogen Dioxide



### Environmental

- Temperature
- Humidity
- Tamper
- Pressure



### Air Quality

- Vape
- THC
- Smoke
- Formaldehyde
- Benzene
- Volatile Organic Compounds (VOCs)



### Light

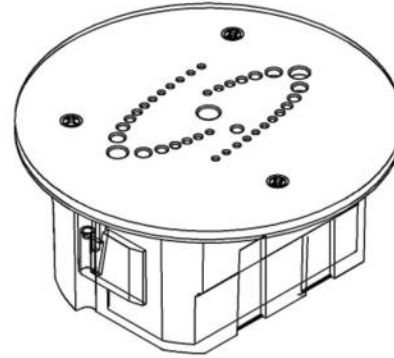
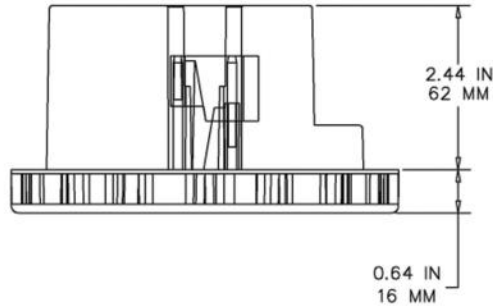
- Occupancy
- Level

### Alerting

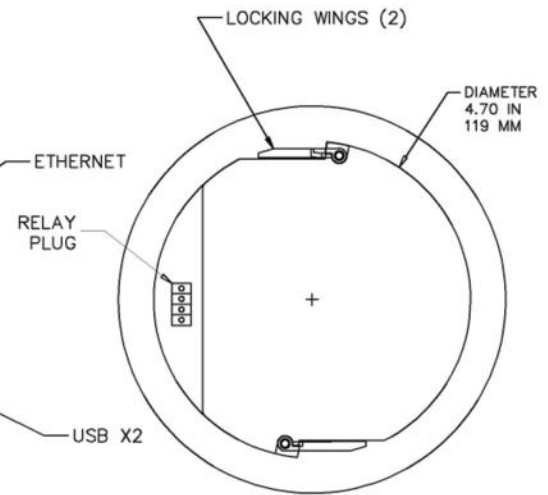
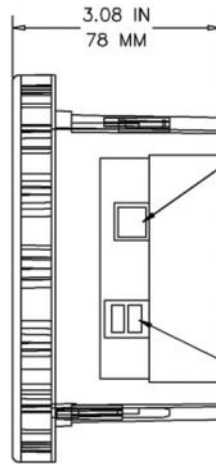
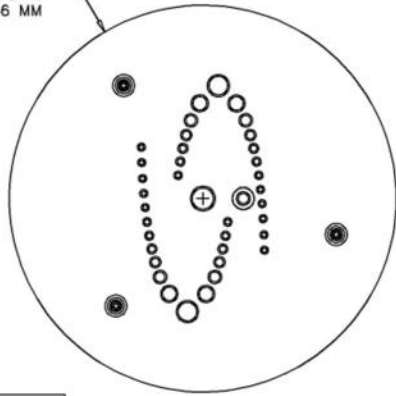
- Email or SMS text alerts
- Alerts to Video Management & Access Control
- Low voltage relay outputs

## General Specifications

Operating Temperature	32°F - 122°F (0°C - 50°C)
Operating Humidity	0 to 90% Relative Humidity (non-condensing)
Power Supply	PoE (IEEE 802.3af Class 3 Compliance) 9W
Dimensions	5.75" x 3.08" (146mm x 78mm)
Weight	0.8 lbs (0.365 kgs)
Mounting Options	Ceiling Flush Mount, Surface Mount (optional)
Vandal	IK10 rated, vandal proof housing with Tamper Alert
Certifications	UL, CUL, CE, RoHS, FCC, WEEE



DIAMETER  
5.75 IN  
146 MM



HALO IOT Smart Sensor contains a Class 1 Laser Product.

## Interface Specifications

Live Display Resolution*	1024 x 768	<b>*Image display of sensor readings only.</b>
Frame Rate*	1 FPS	
Video Compression*	MJPEG	
Audio	MEMS Microphones (2) [Audio Analysis Only] No Recording of Live Stream	
Relays Outputs	2, Normally Open or Closed, 48VDC at 1 amp	
VMS Integrations	Milestone, Panasonic Video Insight, ExacQ Vision, Nx Witness, Hanwha Wave VMS, Luxriot Evo, DW Spectrum IPVMS, Ganz Control, Mirasys	
Other 3rd Party Integrations	Maxxess, Open Options, Vigilance, NULeds, Aruba HPE, PunchAlert	
Status Light	Alarm Condition, Multi-Color, Programmable	
Speaker	Alarm Condition, Pre-Recorded Files, Programmable	

## Network Specifications

Ethernet	RJ-45 (10/100 Base-T)
Alarm Triggers	Particulates, Carbon Dioxide Equivalents, Total Volatile Organic Compounds, Carbon Monoxide, Ammonia, Temperature/Humidity, Light Level, Sound Levels, Tamper, Vape, Vape THC, Aggression
Protocols	TCP/IP, UDP, IPv4/v6, HTTP, HTTPS, RTP, RTSP, DHCP, ARP, Bonjour
Maximum Users Connections	Live MJPEG Stream, 8 Users

\*\* All information is subject to change without notice.